



深圳市航昱微科技有限公司

SHENZHEN BLUESKY TECHNOLOGY CO.,LTD

SPECIFICATION FOR APPROVAL

承认书

Spec. No.: HYN4032-20210930

Issued Date: 2024-04-24

CUSTOMER:

客户

PART NAME: SMD Plastic NTC Varistors

名称 SMD塑封热敏电阻器

APPLICATION: Suppress Surge Cur

用途 抑制突破电流

PART NO.:

料号 HYN4032-8R03

UL FILE NO:

UL证书号

CUSTOMER PART NO.:

客户料号

客户承认 CUSTOMER CONFIRM

承认章 STAMP	核准 APPROVE	审核 CHECK	经办人 SIGNATURE

公司名称: 深圳市航昱微科技有限公司

SHENZHEN BLUESKY TECHNOLOGY CO.,LTD

公司地址: 深圳市福田区深南中路3027号嘉汇新城

汇商中心2918-2921室

电 话: 0755-83654115

传 真: 0755-83655503



深圳市航昱微科技有限公司

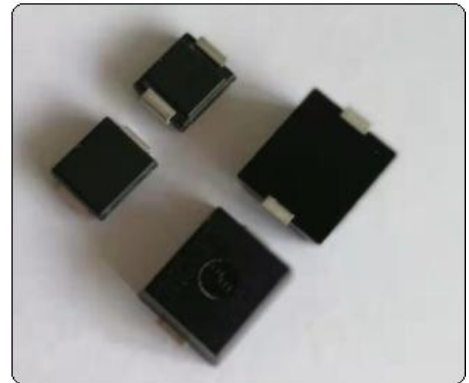
SHENZHEN BLUESKY TECHNOLOGY CO.,LTD

1、特点

1. 符合RoHS
2. 适用于表面安装技术回流焊及波峰焊
3. 结构小巧、节省空间
4. 强大的抑制浪涌电流能力
5. 包装材料满足UL94-V0

2、用途

1. 电源供应器
2. 家用电器
3. 工业设备
4. LED照明电源



3、编码规则

HY N -4032 - 8R0 3

1 2 3 4 5

1、HY:公司代码：航昱微

2、N: 功率型负温度系数热敏电阻

3、尺寸：用代码表示

尺寸	3225	3535	4032	6355
----	------	------	------	------

4、阻值：如8R0~8Ω

5、最大冲击电流：3~3A



深圳市航昱微科技有限公司

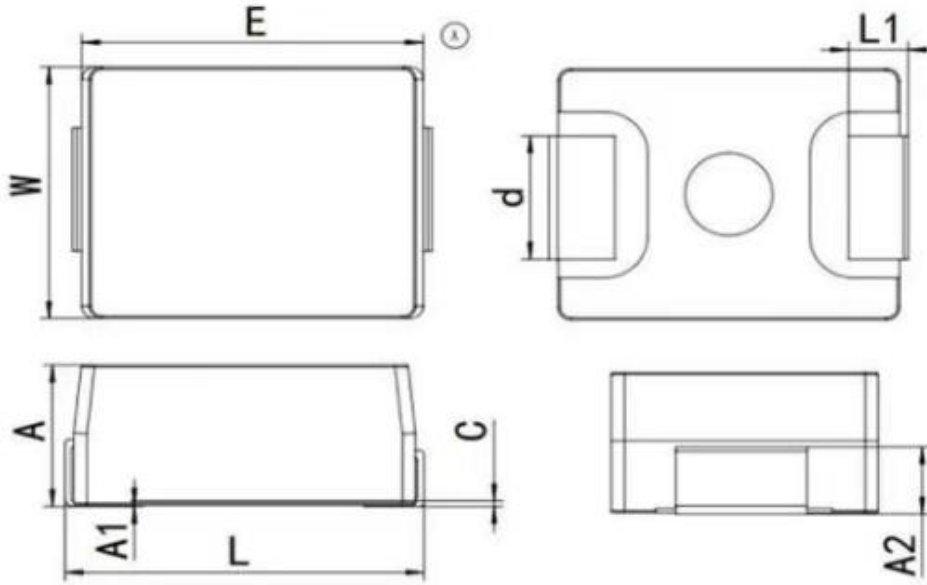
SHENZHEN BLUESKY TECHNOLOGY CO.,LTD

4. 外形尺寸 (Appearance)

4-1. 标志 Marking

HYN4032-8R03

4-2. 尺寸 Dimensional Drawing (mm)



UNIT		E	W	A	L	A1	A2	d	L1	C
mm	max	10.5	8.5	4.1	11.5	0.22	2.6	3.2	1.9	0.22
	cen	10	8.0	3.8	11	0.2	2.2	3.0	1.6	0.2
	min	9.5	7.5	3.5	10.5	0.18	1.8	2.8	1.4	0.18

4-3. 材料 (Materials)

- ①封装材料 (Wrapper) : 热熔树脂 (Fusible Resin)
- ②引线 (Down-lead) : 镀锡铜线排型 (Tinned Copper Wire L-shape)
- ③颜色 (Coating color) : 黑色 (Black)

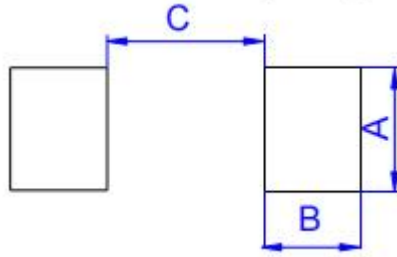


深圳市航昱微科技有限公司

SHENZHEN BLUESKY TECHNOLOGY CO.,LTD

4-4. 焊盘布局、尺寸 Recommended size of solder paste or size (mm)

项目(4032)	A	B	C
尺寸 (EIA)	3.5	2.8	6.5





深圳市航昱微科技有限公司

SHENZHEN BLUESKY TECHNOLOGY CO.,LTD

5. 主要技术参数 (Parameters of Technology)

- ①25℃时零功率电阻值 (Ω) (Zero Power Resistance at 25℃) : 8±20%
- ②B 值25/50℃ (K) (B Value) : 2800±10%
- ③热时间常数(S) (Thermal Time Constant) : 45
- ④热耗散系数 (mW/℃) (Thermal Dissipation Constant) : 17
- ⑤工作温度 (℃) (Operating Temperature) : -40 - +150
- ⑥最大稳态电流(I_{max}/25℃) (Max Steady State Current) : 3A
- ⑦最大冲击电容量(μF/240V) (Max. Shock Capacity) : 330

6. 电气性能及要求 (electrical properties and requirements)

项目	测试方法	性能要求
零功率电阻值	在25℃下, 当由于电阻体内部发热引起的电阻值变化相对于总测量误差可以忽略不计时所测得的电阻值。	见电特性参数
B值	B值可以用25℃和50℃时的零功率电阻值计算出来。其计算公式是: $B = \frac{T_1 * T_2}{T_2 - T_1} * \ln \left(\frac{R_1}{R_2} \right)$	见电特性参数
热耗散系数	在规定的温度下, 热敏电阻中耗散的功率变化与热敏电阻相应温度变化之比。其单位: mw/℃	见电特性参数
热时间常数	在零功率条件下, 当温度发生变化时, 热敏电阻的温度变化为其初始的和最终的温度差的63.2%所需的时间。	见电特性参数
工作温度	热敏电阻器长期连续工作所允许的温度范围。	-40--+150℃
最大稳态电流	通电1000h后, 电流达到稳态时, 热敏电阻所承受的最大电流。	见电特性参数
稳态湿热	温度40±2℃, 相对湿度93±3%, 存放1000±2小时后, 在正常状态下1小时。	无可见损伤、标志清晰、无击穿或飞弧, 绝缘电阻大于100MΩ。电阻值的最大变化率在±15%以内。
耐电压	施加1200ACV电压, 时间60S, 电压加在电阻器引线与绝缘层之间	无击穿或飞弧
温度快速变化	-40℃/30 → 25℃/5 → +180℃/30 → 25℃/5	电阻变化率±20%

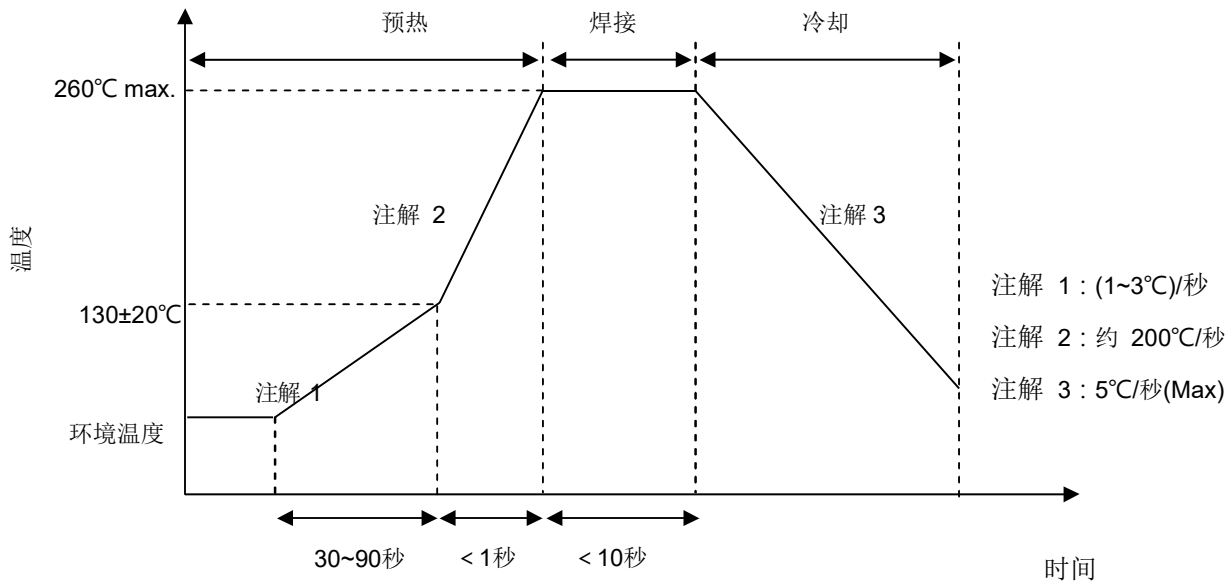


深圳市航昱微科技有限公司

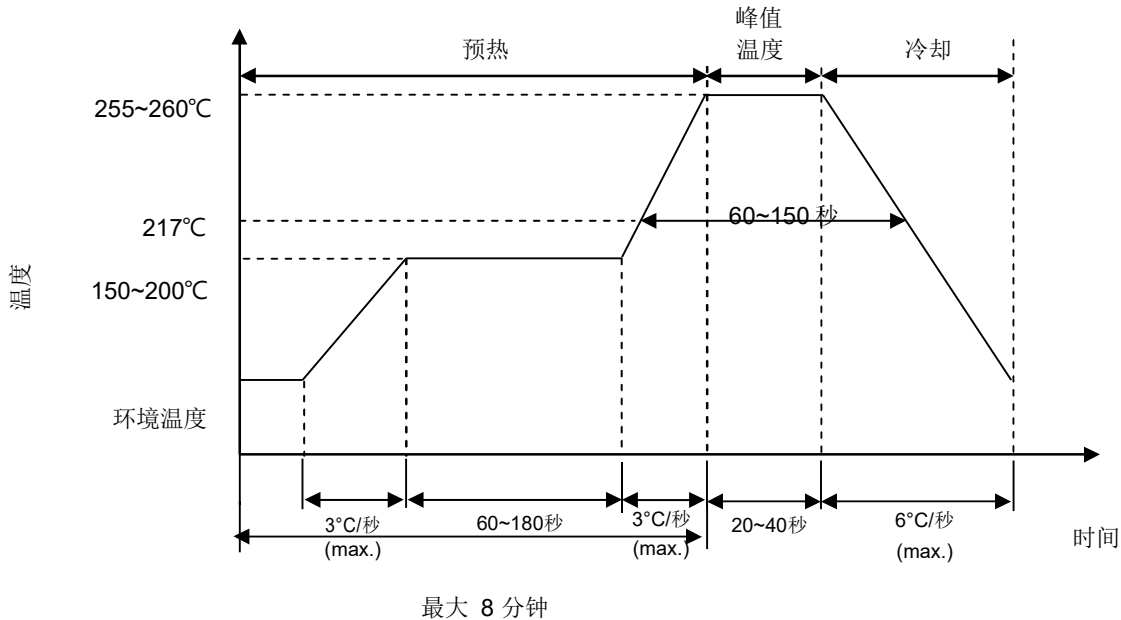
SHENZHEN BLUESKY TECHNOLOGY CO.,LTD

7、推荐焊接条件

7-1波峰焊曲线



7-2回流焊曲线



7-3烙铁重工焊接条件

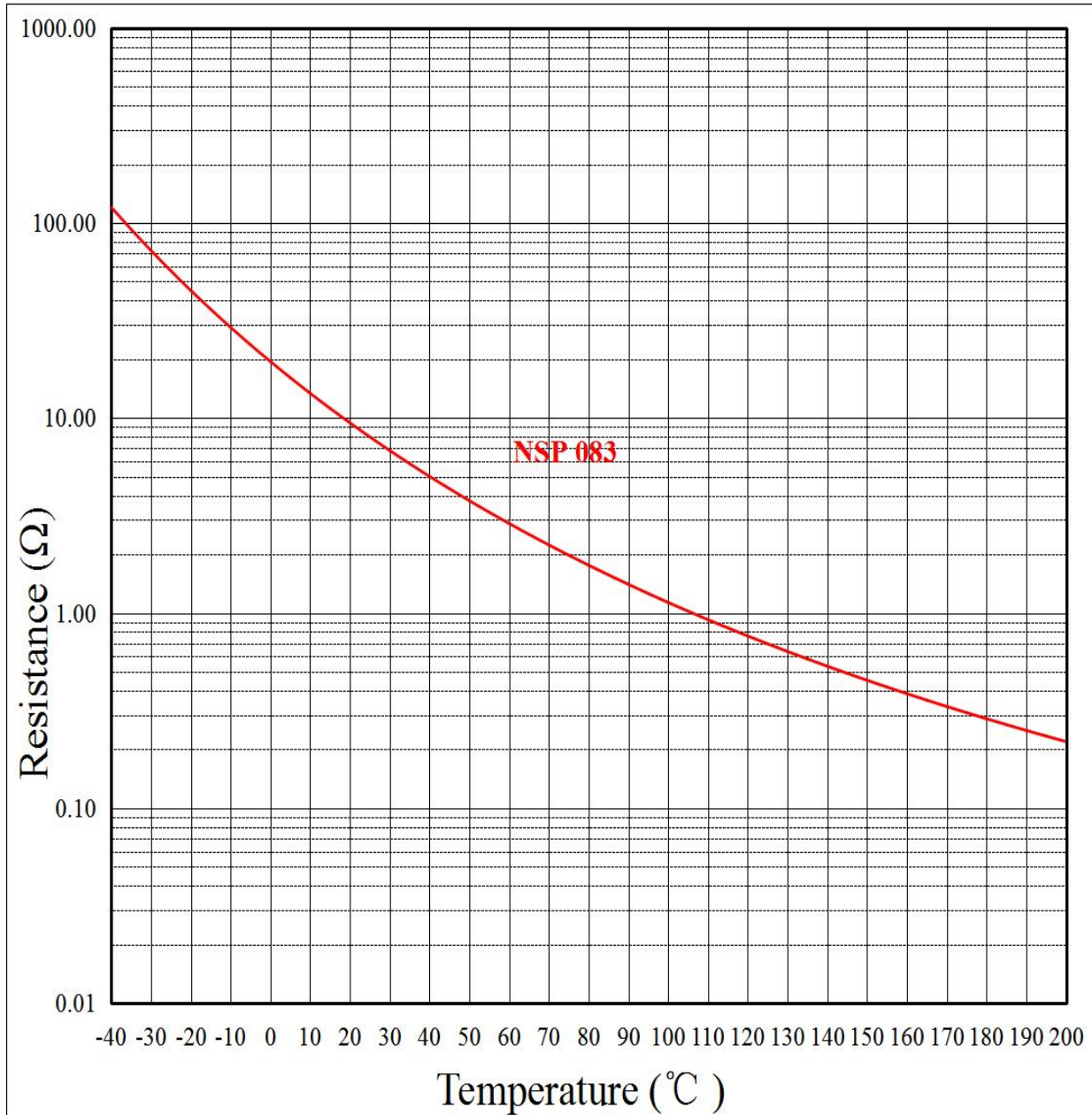
项目	条件
烙铁头部温度	350°C (max.)
焊接时间	3 sec (max.)
烙铁头直径	Φ3 mm (max.)



深圳市航昱微科技有限公司

SHENZHEN BLUESKY TECHNOLOGY CO.,LTD

8. R-T表





深圳市航昱微科技有限公司

SHENZHEN BLUESKY TECHNOLOGY CO.,LTD

温度 (°C)	阻值 (Ω)			温度系数 (%/°C)	阻值精度偏差(%)		测温精度偏差 (°C)	
	下限值	中心值	上限值		最小	最大	最小	最大
-40.0	35.0799	52.9745	76.7972	-1.86	-33.78	44.97	-24.23	18.20
-39.0	34.4869	51.9803	75.2133	-1.93	-33.65	44.70	-23.13	17.41
-38.0	33.8809	50.9665	73.6013	-2.01	-33.52	44.41	-22.14	16.71
-37.0	33.2642	49.9367	71.9670	-2.08	-33.39	44.12	-21.25	16.08
-36.0	32.6385	48.8941	70.3161	-2.14	-33.25	43.81	-20.44	15.51
-35.0	32.0057	47.8420	68.6535	-2.21	-33.10	43.50	-19.71	15.00
-34.0	31.3676	46.7833	66.9842	-2.27	-32.95	43.18	-19.04	14.53
-33.0	30.7256	45.7207	65.3126	-2.33	-32.80	42.85	-18.42	14.10
-32.0	30.0814	44.6569	63.6428	-2.38	-32.64	42.52	-17.85	13.70
-31.0	29.4363	43.5941	61.9787	-2.43	-32.48	42.17	-17.32	13.34
-30.0	28.7917	42.5346	60.3238	-2.49	-32.31	41.82	-16.83	13.00
-29.0	28.1487	41.4804	58.6813	-2.53	-32.14	41.47	-16.37	12.69
-28.0	27.5084	40.4334	57.0541	-2.58	-31.97	41.11	-15.94	12.39
-27.0	26.8719	39.3953	55.4448	-2.62	-31.79	40.74	-15.53	12.12
-26.0	26.2402	38.3676	53.8559	-2.66	-31.61	40.37	-15.15	11.87
-25.0	25.6141	37.3517	52.2894	-2.70	-31.42	39.99	-14.80	11.63
-24.0	24.9943	36.3489	50.7472	-2.74	-31.24	39.61	-14.46	11.40
-23.0	24.3816	35.3602	49.2309	-2.78	-31.05	39.23	-14.14	11.19
-22.0	23.7766	34.3866	47.7420	-2.81	-30.86	38.84	-13.83	10.99
-21.0	23.1799	33.4291	46.2817	-2.84	-30.66	38.45	-13.54	10.80
-20.0	22.5919	32.4883	44.8509	-2.87	-30.46	38.05	-13.26	10.62
-19.0	22.0132	31.5649	43.4507	-2.90	-30.26	37.66	-13.00	10.44
-18.0	21.4440	30.6594	42.0816	-2.92	-30.06	37.26	-12.74	10.28
-17.0	20.8848	29.7724	40.7443	-2.95	-29.85	36.85	-12.50	10.13
-16.0	20.3358	28.9040	39.4391	-2.97	-29.64	36.45	-12.27	9.98
-15.0	19.7973	28.0548	38.1663	-2.99	-29.43	36.04	-12.04	9.83
-14.0	19.2693	27.2247	36.9260	-3.01	-29.22	35.63	-11.83	9.70
-13.0	18.7522	26.4141	35.7184	-3.03	-29.01	35.22	-11.62	9.57
-12.0	18.2459	25.6230	34.5434	-3.05	-28.79	34.81	-11.42	9.44
-11.0	17.7506	24.8513	33.4008	-3.07	-28.57	34.40	-11.22	9.32
-10.0	17.2663	24.0991	32.2904	-3.08	-28.35	33.99	-11.03	9.20
-9.0	16.7931	23.3663	31.2120	-3.09	-28.13	33.58	-10.85	9.09
-8.0	16.3309	22.6529	30.1653	-3.11	-27.91	33.16	-10.67	8.98
-7.0	15.8797	21.9585	29.1498	-3.12	-27.68	32.75	-10.50	8.88
-6.0	15.4394	21.2831	28.1650	-3.13	-27.46	32.34	-10.33	8.77
-5.0	15.0099	20.6264	27.2105	-3.14	-27.23	31.92	-10.17	8.68
-4.0	14.5913	19.9881	26.2858	-3.15	-27.00	31.51	-10.01	8.58
-3.0	14.1833	19.3681	25.3903	-3.15	-26.77	31.09	-9.86	8.49
-2.0	13.7858	18.7660	24.5234	-3.16	-26.54	30.68	-9.70	8.39
-1.0	13.3988	18.1815	23.6845	-3.17	-26.31	30.27	-9.56	8.31



深圳市航昱微科技有限公司

SHENZHEN BLUESKY TECHNOLOGY CO.,LTD

0.0	13.0220	17.6143	22.8730	-3.17	-26.07	29.86	-9.41	8.22
1.0	12.6553	17.0640	22.0883	-3.18	-25.84	29.44	-9.27	8.14
2.0	12.2985	16.5303	21.3296	-3.18	-25.60	29.03	-9.13	8.05
3.0	11.9515	16.0129	20.5963	-3.18	-25.36	28.62	-9.00	7.97
4.0	11.6141	15.5114	19.8879	-3.18	-25.13	28.21	-8.86	7.89
5.0	11.2860	15.0254	19.2035	-3.18	-24.89	27.81	-8.73	7.82
6.0	10.9672	14.5545	18.5425	-3.18	-24.65	27.40	-8.61	7.74
7.0	10.6574	14.0984	17.9043	-3.18	-24.41	27.00	-8.48	7.67
8.0	10.3564	13.6566	17.2882	-3.18	-24.17	26.59	-8.36	7.59
9.0	10.0640	13.2289	16.6936	-3.18	-23.92	26.19	-8.23	7.52
10.0	9.7801	12.8149	16.1197	-3.18	-23.68	25.79	-8.11	7.45
11.0	9.5044	12.4141	15.5661	-3.18	-23.44	25.39	-7.99	7.38
12.0	9.2367	12.0262	15.0319	-3.17	-23.20	24.99	-7.88	7.31
13.0	8.9768	11.6509	14.5167	-3.17	-22.95	24.60	-7.76	7.24
14.0	8.7246	11.2877	14.0198	-3.16	-22.71	24.20	-7.65	7.18
15.0	8.4798	10.9364	13.5405	-3.16	-22.46	23.81	-7.54	7.11
16.0	8.2423	10.5966	13.0784	-3.15	-22.22	23.42	-7.43	7.04
17.0	8.0118	10.2679	12.6329	-3.15	-21.97	23.03	-7.32	6.98
18.0	7.7882	9.9500	12.2033	-3.14	-21.73	22.65	-7.21	6.91
19.0	7.5713	9.6425	11.7892	-3.14	-21.48	22.26	-7.10	6.85
20.0	7.3609	9.3452	11.3899	-3.13	-21.23	21.88	-6.99	6.79
21.0	7.1568	9.0578	11.0051	-3.12	-20.99	21.50	-6.89	6.73
22.0	6.9588	8.7798	10.6342	-3.11	-20.74	21.12	-6.79	6.66
23.0	6.7668	8.5110	10.2767	-3.10	-20.49	20.75	-6.68	6.60
24.0	6.5806	8.2512	9.9321	-3.10	-20.25	20.37	-6.58	6.54
25.0	6.4000	8.0000	9.6000	-3.09	-20.00	20.00	-6.48	6.48
26.0	6.1866	7.7571	9.3373	-3.08	-20.25	20.37	-6.62	6.58
27.0	5.9809	7.5223	9.0826	-3.07	-20.49	20.74	-6.76	6.68
28.0	5.7827	7.2954	8.8355	-3.06	-20.73	21.11	-6.90	6.78
29.0	5.5917	7.0759	8.5960	-3.05	-20.98	21.48	-7.05	6.88
30.0	5.4075	6.8638	8.3637	-3.04	-21.22	21.85	-7.19	6.98
31.0	5.2301	6.6587	8.1384	-3.03	-21.45	22.22	-7.34	7.08
32.0	5.0590	6.4604	7.9200	-3.02	-21.69	22.59	-7.49	7.19
33.0	4.8941	6.2687	7.7082	-3.01	-21.93	22.96	-7.64	7.29
34.0	4.7352	6.0834	7.5028	-3.00	-22.16	23.33	-7.79	7.40
35.0	4.5820	5.9042	7.3036	-2.98	-22.39	23.70	-7.94	7.50
36.0	4.4343	5.7309	7.1104	-2.97	-22.62	24.07	-8.10	7.61
37.0	4.2920	5.5634	6.9231	-2.96	-22.85	24.44	-8.25	7.72
38.0	4.1547	5.4015	6.7414	-2.95	-23.08	24.81	-8.41	7.83
39.0	4.0224	5.2448	6.5652	-2.94	-23.31	25.17	-8.57	7.94
40.0	3.8948	5.0934	6.3943	-2.92	-23.53	25.54	-8.73	8.05
41.0	3.7718	4.9469	6.2286	-2.91	-23.75	25.91	-8.90	8.16
42.0	3.6531	4.8052	6.0678	-2.90	-23.98	26.28	-9.06	8.27



深圳市航昱微科技有限公司

SHENZHEN BLUESKY TECHNOLOGY CO.,LTD

43.0	3.5387	4.6682	5.9119	-2.89	-24.20	26.64	-9.23	8.38
44.0	3.4284	4.5357	5.7606	-2.87	-24.41	27.01	-9.40	8.50
45.0	3.3219	4.4075	5.6139	-2.86	-24.63	27.37	-9.57	8.61
46.0	3.2193	4.2835	5.4715	-2.85	-24.84	27.74	-9.74	8.72
47.0	3.1202	4.1635	5.3334	-2.83	-25.06	28.10	-9.91	8.84
48.0	3.0246	4.0474	5.1993	-2.82	-25.27	28.46	-10.09	8.96
49.0	2.9324	3.9351	5.0693	-2.81	-25.48	28.82	-10.27	9.08
50.0	2.8435	3.8264	4.9431	-2.79	-25.69	29.18	-10.44	9.19
51.0	2.7576	3.7212	4.8207	-2.78	-25.89	29.55	-10.63	9.31
52.0	2.6747	3.6194	4.7018	-2.77	-26.10	29.91	-10.81	9.43
53.0	2.5948	3.5209	4.5864	-2.75	-26.30	30.26	-10.99	9.55
54.0	2.5175	3.4255	4.4745	-2.74	-26.51	30.62	-11.18	9.68
55.0	2.4430	3.3332	4.3658	-2.73	-26.71	30.98	-11.37	9.80
56.0	2.3710	3.2438	4.2603	-2.71	-26.91	31.34	-11.56	9.92
57.0	2.3015	3.1572	4.1578	-2.70	-27.10	31.69	-11.75	10.05
58.0	2.2344	3.0734	4.0583	-2.68	-27.30	32.05	-11.94	10.17
59.0	2.1696	2.9922	3.9617	-2.67	-27.49	32.40	-12.14	10.30
60.0	2.1070	2.9136	3.8679	-2.66	-27.69	32.75	-12.33	10.43
61.0	2.0465	2.8375	3.7768	-2.64	-27.88	33.11	-12.53	10.55
62.0	1.9880	2.7637	3.6883	-2.63	-28.07	33.46	-12.73	10.68
63.0	1.9315	2.6922	3.6024	-2.61	-28.25	33.81	-12.94	10.81
64.0	1.8769	2.6230	3.5189	-2.60	-28.44	34.16	-13.14	10.94
65.0	1.8242	2.5559	3.4377	-2.58	-28.63	34.50	-13.35	11.08
66.0	1.7732	2.4908	3.3589	-2.57	-28.81	34.85	-13.56	11.21
67.0	1.7239	2.4278	3.2823	-2.56	-28.99	35.20	-13.77	11.34
68.0	1.6762	2.3667	3.2079	-2.54	-29.17	35.54	-13.98	11.48
69.0	1.6301	2.3075	3.1355	-2.53	-29.35	35.89	-14.20	11.61
70.0	1.5856	2.2500	3.0652	-2.51	-29.53	36.23	-14.42	11.75
71.0	1.5425	2.1943	2.9968	-2.50	-29.71	36.57	-14.63	11.89
72.0	1.5008	2.1403	2.9304	-2.48	-29.88	36.91	-14.86	12.03
73.0	1.4604	2.0880	2.8658	-2.47	-30.06	37.25	-15.08	12.17
74.0	1.4214	2.0372	2.8029	-2.46	-30.23	37.59	-15.30	12.31
75.0	1.3836	1.9879	2.7418	-2.44	-30.40	37.93	-15.53	12.45
76.0	1.3470	1.9401	2.6824	-2.43	-30.57	38.26	-15.76	12.59
77.0	1.3116	1.8937	2.6246	-2.41	-30.74	38.60	-15.99	12.74
78.0	1.2774	1.8486	2.5684	-2.40	-30.90	38.93	-16.23	12.88
79.0	1.2442	1.8049	2.5137	-2.39	-31.07	39.27	-16.46	13.03
80.0	1.2121	1.7625	2.4604	-2.37	-31.23	39.60	-16.70	13.17
81.0	1.1810	1.7213	2.4086	-2.36	-31.39	39.93	-16.94	13.32
82.0	1.1508	1.6814	2.3582	-2.34	-31.55	40.26	-17.18	13.47
83.0	1.1216	1.6426	2.3092	-2.33	-31.71	40.58	-17.43	13.62
84.0	1.0934	1.6049	2.2614	-2.31	-31.87	40.91	-17.68	13.77
85.0	1.0660	1.5683	2.2150	-2.30	-32.03	41.24	-17.93	13.92



深圳市航昱微科技有限公司

SHENZHEN BLUESKY TECHNOLOGY CO.,LTD

86.0	1.0394	1.5327	2.1697	-2.29	-32.18	41.56	-18.18	14.08
87.0	1.0137	1.4982	2.1257	-2.27	-32.34	41.88	-18.43	14.23
88.0	0.9887	1.4646	2.0827	-2.26	-32.49	42.21	-18.69	14.39
89.0	0.9645	1.4320	2.0410	-2.24	-32.64	42.53	-18.95	14.54
90.0	0.9411	1.4003	2.0003	-2.23	-32.79	42.85	-19.21	14.70
91.0	0.9183	1.3695	1.9606	-2.22	-32.94	43.16	-19.47	14.86
92.0	0.8963	1.3396	1.9220	-2.20	-33.09	43.48	-19.73	15.02
93.0	0.8749	1.3105	1.8844	-2.19	-33.24	43.80	-20.00	15.18
94.0	0.8541	1.2822	1.8477	-2.18	-33.38	44.11	-20.27	15.34
95.0	0.8340	1.2547	1.8120	-2.16	-33.53	44.42	-20.55	15.51
96.0	0.8144	1.2279	1.7772	-2.15	-33.67	44.74	-20.82	15.67
97.0	0.7955	1.2019	1.7433	-2.14	-33.81	45.05	-21.10	15.84
98.0	0.7771	1.1766	1.7102	-2.12	-33.95	45.35	-21.38	16.00
99.0	0.7592	1.1520	1.6780	-2.11	-34.09	45.66	-21.66	16.17
100.0	0.7419	1.1280	1.6465	-2.09	-34.23	45.97	-21.94	16.34
101.0	0.7250	1.1047	1.6159	-2.08	-34.37	46.27	-22.23	16.51
102.0	0.7087	1.0820	1.5860	-2.07	-34.51	46.58	-22.52	16.68
103.0	0.6928	1.0599	1.5568	-2.05	-34.64	46.88	-22.81	16.86
104.0	0.6773	1.0384	1.5284	-2.04	-34.77	47.18	-23.11	17.03
105.0	0.6623	1.0175	1.5006	-2.03	-34.91	47.48	-23.41	17.21
106.0	0.6478	0.9972	1.4736	-2.02	-35.04	47.78	-23.71	17.38
107.0	0.6336	0.9773	1.4472	-2.00	-35.17	48.08	-24.01	17.56
108.0	0.6198	0.9580	1.4214	-1.99	-35.30	48.37	-24.31	17.74
109.0	0.6065	0.9392	1.3963	-1.98	-35.43	48.67	-24.62	17.92
110.0	0.5935	0.9209	1.3717	-1.96	-35.55	48.96	-24.93	18.10
111.0	0.5808	0.9030	1.3478	-1.95	-35.68	49.25	-25.24	18.29
112.0	0.5685	0.8856	1.3244	-1.94	-35.80	49.54	-25.56	18.47
113.0	0.5566	0.8687	1.3016	-1.93	-35.93	49.83	-25.88	18.66
114.0	0.5450	0.8522	1.2793	-1.91	-36.05	50.12	-26.20	18.85
115.0	0.5336	0.8361	1.2575	-1.90	-36.17	50.41	-26.52	19.03
116.0	0.5226	0.8204	1.2363	-1.89	-36.29	50.69	-26.85	19.22
117.0	0.5119	0.8051	1.2155	-1.88	-36.41	50.98	-27.18	19.42
118.0	0.5015	0.7902	1.1952	-1.86	-36.53	51.26	-27.51	19.61
119.0	0.4914	0.7757	1.1754	-1.85	-36.65	51.54	-27.85	19.80
120.0	0.4815	0.7615	1.1561	-1.84	-36.77	51.82	-28.19	20.00
121.0	0.4719	0.7477	1.1372	-1.83	-36.88	52.10	-28.53	20.20
122.0	0.4625	0.7342	1.1187	-1.81	-37.00	52.37	-28.87	20.39
123.0	0.4534	0.7210	1.1006	-1.80	-37.11	52.65	-29.22	20.59
124.0	0.4446	0.7082	1.0830	-1.79	-37.22	52.92	-29.57	20.79
125.0	0.4359	0.6957	1.0657	-1.78	-37.34	53.20	-29.92	21.00
126.0	0.4275	0.6834	1.0489	-1.77	-37.45	53.47	-30.27	21.20
127.0	0.4193	0.6715	1.0324	-1.75	-37.56	53.74	-30.63	21.41
128.0	0.4113	0.6599	1.0163	-1.74	-37.67	54.01	-30.99	21.61



深圳市航昱微科技有限公司

SHENZHEN BLUESKY TECHNOLOGY CO.,LTD

129.0	0.4035	0.6485	1.0005	-1.73	-37.77	54.28	-31.36	21.82
130.0	0.3960	0.6374	0.9851	-1.72	-37.88	54.54	-31.72	22.03
131.0	0.3886	0.6266	0.9700	-1.71	-37.99	54.81	-32.09	22.24
132.0	0.3814	0.6160	0.9553	-1.70	-38.09	55.07	-32.47	22.46
133.0	0.3743	0.6057	0.9408	-1.68	-38.20	55.33	-32.84	22.67
134.0	0.3675	0.5956	0.9267	-1.67	-38.30	55.59	-33.22	22.89
135.0	0.3608	0.5857	0.9129	-1.66	-38.40	55.85	-33.60	23.11
136.0	0.3543	0.5761	0.8994	-1.65	-38.51	56.11	-33.99	23.32
137.0	0.3479	0.5667	0.8862	-1.64	-38.61	56.37	-34.38	23.55
138.0	0.3417	0.5575	0.8732	-1.63	-38.71	56.63	-34.77	23.77
139.0	0.3357	0.5486	0.8606	-1.62	-38.81	56.88	-35.17	23.99
140.0	0.3298	0.5398	0.8482	-1.61	-38.91	57.13	-35.56	24.22
141.0	0.3240	0.5312	0.8361	-1.60	-39.00	57.38	-35.97	24.45
142.0	0.3184	0.5228	0.8242	-1.58	-39.10	57.64	-36.37	24.67
143.0	0.3129	0.5146	0.8125	-1.57	-39.20	57.88	-36.78	24.90
144.0	0.3076	0.5066	0.8012	-1.56	-39.29	58.13	-37.19	25.14
145.0	0.3023	0.4988	0.7900	-1.55	-39.39	58.38	-37.61	25.37
146.0	0.2972	0.4911	0.7791	-1.54	-39.48	58.62	-38.02	25.61
147.0	0.2923	0.4837	0.7684	-1.53	-39.57	58.87	-38.45	25.84
148.0	0.2874	0.4763	0.7579	-1.52	-39.66	59.11	-38.87	26.08
149.0	0.2826	0.4692	0.7476	-1.51	-39.76	59.35	-39.30	26.32
150.0	0.2780	0.4622	0.7376	-1.50	-39.85	59.59	-39.73	26.57
151.0	0.2735	0.4553	0.7277	-1.49	-39.94	59.83	-40.17	26.81
152.0	0.2690	0.4486	0.7181	-1.48	-40.03	60.07	-40.61	27.06
153.0	0.2647	0.4420	0.7086	-1.47	-40.11	60.30	-41.05	27.30
154.0	0.2605	0.4356	0.6993	-1.46	-40.20	60.54	-41.49	27.55
155.0	0.2564	0.4293	0.6902	-1.45	-40.29	60.77	-41.94	27.81
156.0	0.2523	0.4232	0.6813	-1.44	-40.37	61.00	-42.40	28.06
157.0	0.2484	0.4171	0.6726	-1.43	-40.46	61.24	-42.85	28.31
158.0	0.2445	0.4112	0.6640	-1.42	-40.54	61.47	-43.31	28.57
159.0	0.2407	0.4055	0.6556	-1.41	-40.63	61.69	-43.78	28.83
160.0	0.2370	0.3998	0.6474	-1.40	-40.71	61.92	-44.25	29.09
161.0	0.2334	0.3943	0.6393	-1.39	-40.79	62.15	-44.72	29.35
162.0	0.2299	0.3889	0.6314	-1.38	-40.88	62.37	-45.19	29.62
163.0	0.2265	0.3835	0.6236	-1.37	-40.96	62.60	-45.67	29.89
164.0	0.2231	0.3783	0.6160	-1.36	-41.04	62.82	-46.16	30.15
165.0	0.2198	0.3732	0.6085	-1.35	-41.12	63.04	-46.64	30.42
166.0	0.2165	0.3683	0.6012	-1.34	-41.20	63.26	-47.13	30.70
167.0	0.2134	0.3634	0.5940	-1.33	-41.28	63.48	-47.63	30.97
168.0	0.2103	0.3586	0.5869	-1.32	-41.35	63.69	-48.13	31.25
169.0	0.2073	0.3539	0.5800	-1.31	-41.43	63.91	-48.63	31.53
170.0	0.2043	0.3493	0.5732	-1.31	-41.51	64.13	-49.14	31.81



深圳市航昱微科技有限公司

SHENZHEN BLUESKY TECHNOLOGY CO.,LTD

171.0	0.2014	0.3447	0.5666	-1.30	-41.58	64.34	-49.65	32.09
172.0	0.1985	0.3403	0.5600	-1.29	-41.66	64.55	-50.16	32.37
173.0	0.1958	0.3360	0.5536	-1.28	-41.73	64.76	-50.68	32.66
174.0	0.1930	0.3317	0.5473	-1.27	-41.81	64.97	-51.20	32.95
175.0	0.1904	0.3276	0.5411	-1.26	-41.88	65.18	-51.73	33.24
176.0	0.1878	0.3235	0.5350	-1.25	-41.95	65.39	-52.26	33.53
177.0	0.1852	0.3195	0.5290	-1.24	-42.03	65.59	-52.80	33.83
178.0	0.1827	0.3155	0.5232	-1.23	-42.10	65.80	-53.34	34.12
179.0	0.1802	0.3117	0.5174	-1.23	-42.17	66.00	-53.88	34.42
180.0	0.1778	0.3079	0.5118	-1.22	-42.24	66.21	-54.43	34.73



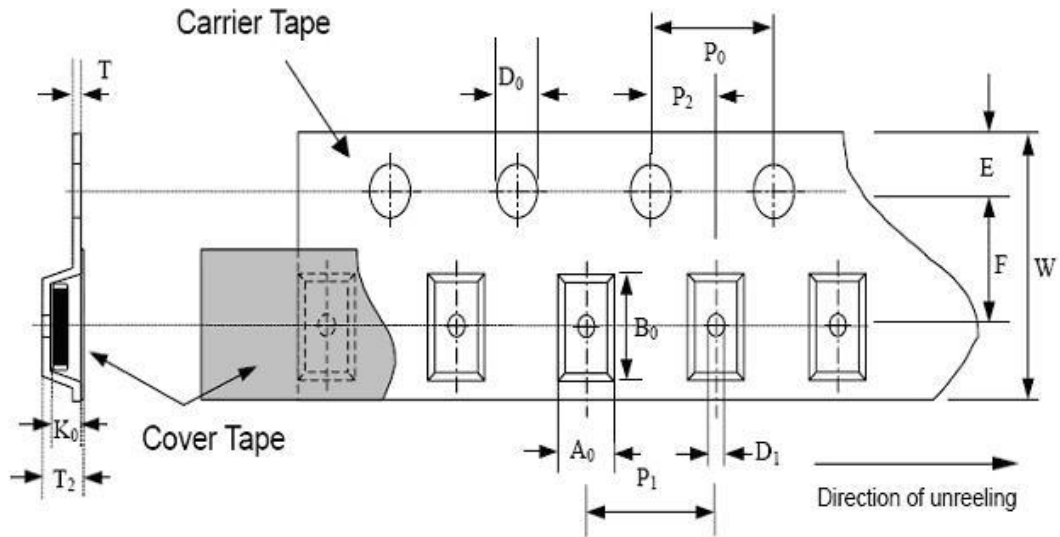
深圳市航昱微科技有限公司

SHENZHEN BLUESKY TECHNOLOGY CO.,LTD

9. 包装

9-1 编带包装方式说明

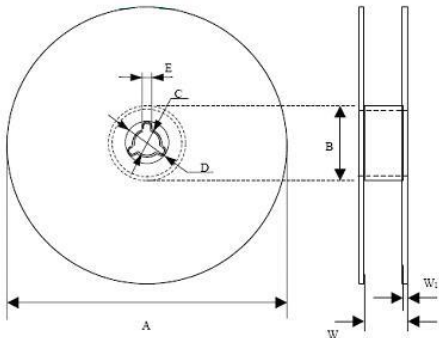
载带尺寸



(单位 : mm)

type	A0	B0	K0	T	T2	D0	D1	P1	P2	P0	W	E	F
3220	7.0	8.7	3.85	0.3	5.50	1.55	1.55	12.00	2.00	4.00	16.00	1.75	7.5
4032	8.4	10.8	3.85	0.3	5.50	1.55	1.55	12.00	2.00	4.00	24.00	1.75	11.5
公差	±0.20	±0.20	±0.10	max	max	+0.05	±0.05	±0.10	±0.05	±0.1	±0.30	±0.10	±0.05

9-2 数量: 1000 (pcs)



type	A	B	C	D	E	W	W1
4032	330.0±1.0	60.0±0.5	13.0±0.2	21.0±0.2	2.0±0.5	24.0±0.3	2.3±0.15



深圳市航昱微科技有限公司

SHENZHEN BLUESKY TECHNOLOGY CO.,LTD

(单位：mm)

10. 仓库存储条件

10-1 存储条件：

· 储存温度：-10℃~+45℃

相对湿度：≦75%RH

不要将本产品存放在有腐蚀性气体或是阳光直接照射的环境中保管。

10-2 存储期限：1年
